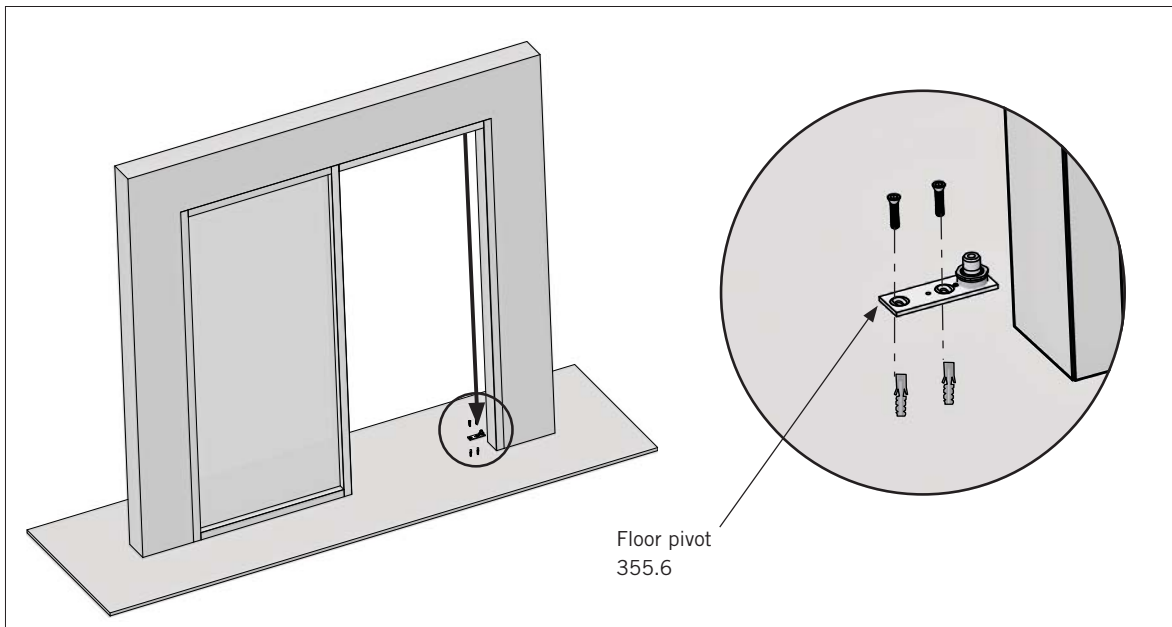


## 355.6 FLOOR PIVOT

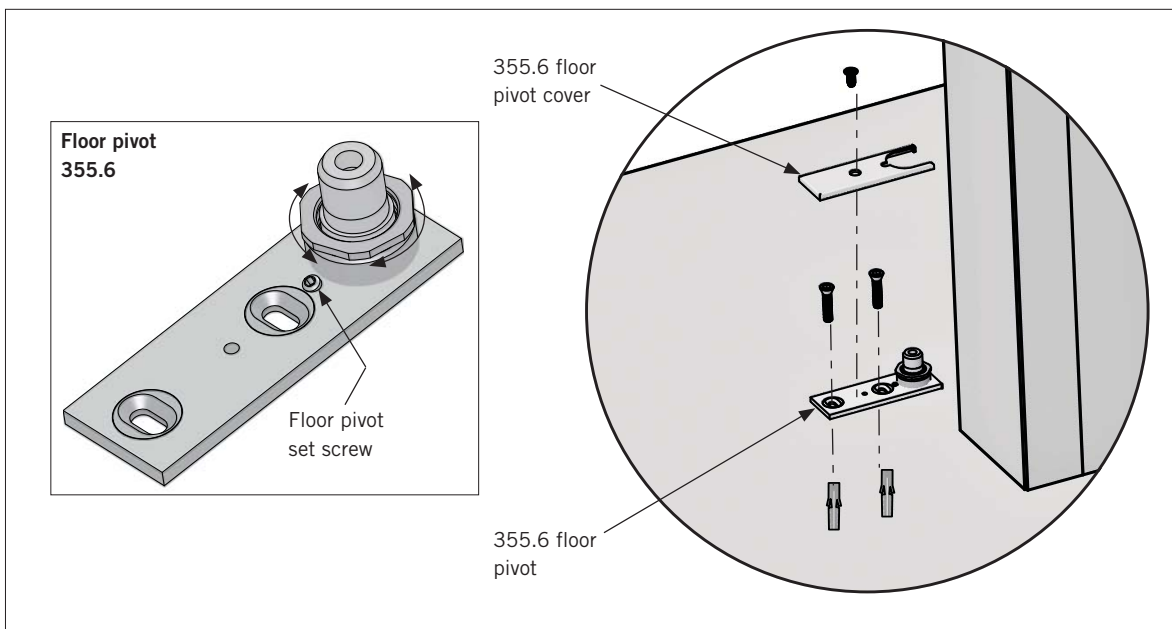


### Install floor pivot (adjustable floor pivot)



1.1 Using an appropriate plumb-bob, align the header spindle with the location of the bottom pivot spindle.

1.2 Secure floor pivot to floor surface using appropriate fasteners and anchors.



#### Adjust floor pivot spindle to adjust for door height:

1.3 Spin adjustable floor pivot (355.6) spindle, using a 15/16" wrench, up or down until correct door height is met.

1.4 Tighten set screw, using a 2mm hex key, to secure floor pivot spindle.

**NOTE:** Insure set screw is fully engaged with spindle. If set screw is tightened properly, spindle should NOT rotate.

1.5 Secure floor pivot cover with included fastener.